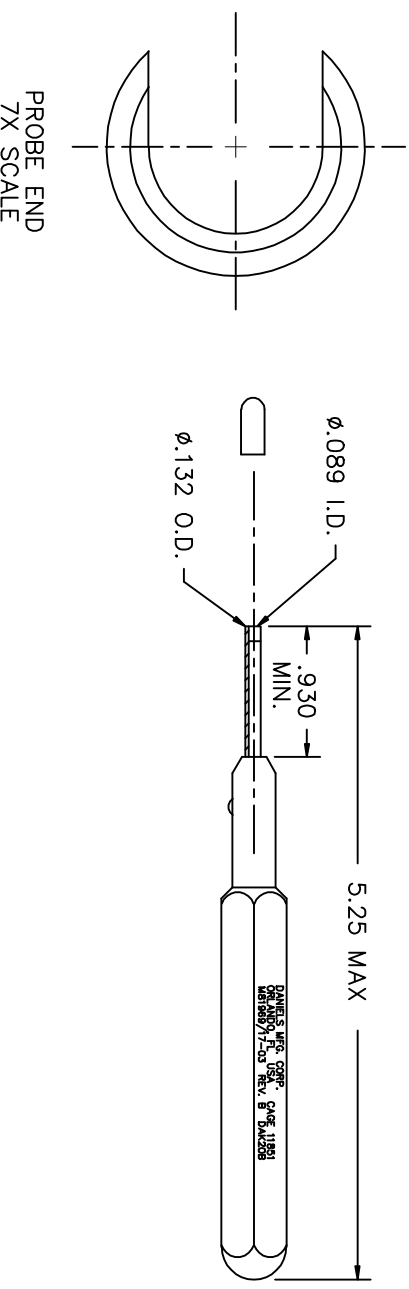


REVISIONS				
REV. STYL.	ECO. NUMBER	DESCRIPTION	BY DATE	APP'D DATE
1		ORIGINAL RELEASE	DV 3/27/95	RRR 3/28
2	21481	ADDED FRONT VIEW	KDH 10/30/09	RRR 10/30/09



RESTRICTED & CONFIDENTIAL		CONFIDENTIAL PROPERTY OF DANIELS MANUFACTURING CORP. NOT TO BE DISCLOSED TO OTHERS, REPRODUCED OR COPIED IN ANY MANNER WITHOUT EXCEPT AS AUTHORIZED IN WRITING BY DANIELS MANUFACTURING. MUST BE RETURNED TO DANIELS MANUFACTURING CORP. ON COMPLETION OF ORDER OR OTHER PURPOSE FOR WHICH LENT.	
MATERIAL		HEAT TREAT	
FINISH			
DO NOT SCALE DRAWING			

ITEM	PART NO.	QTY.	DESCRIPTION/REMARKS
DRW. DVC	DATE 3/27/95		
CHK'D. DE	DATE 5/95		
APP'D.	DATE		
APP'D.	DATE		

NOTE: THIS DRAWING IS AN OUTLINE DRAWING OF THE RESPECTIVE INDICATED PART NUMBER. PART NUMBER IS DRAWING NUMBER WITHOUT THE "-ENV" SUFFIX.

TITLE: INSTALLING TOOL #20 ENVELOPE DRAWING (M81969/17-03 REV. B)

WHERE USED: DAK20B-ENV

SIZE: B

SCALE: NTS

POSTING: DAK20B-ENV

CAD P/N: DAK20B-ENV

DWG. NO.: DAK20B-ENV

SHEET 1 OF 1

REV. 1

UNCONTROLLED DOCUMENT
WILL NOT BE UPDATED